



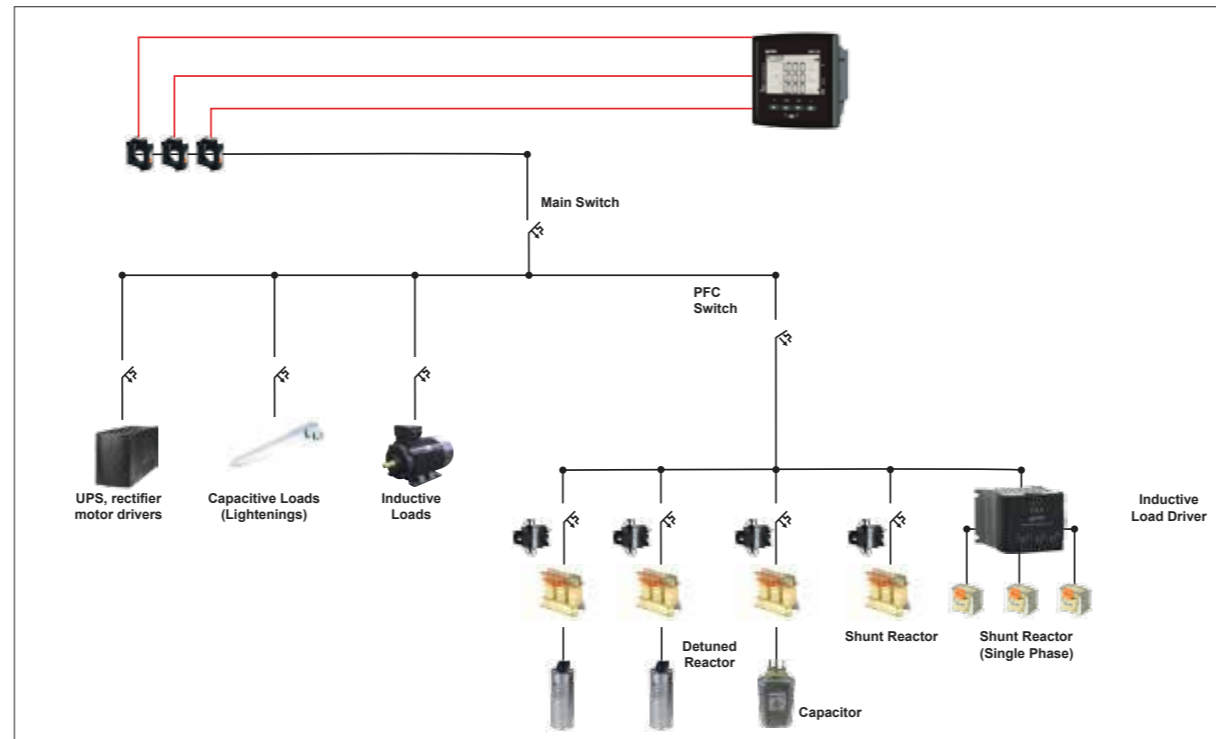
Every thing is OK,
No Problem...



	RGP-9	RGP-9S	RGP-12	RGP-12S	RGP-12SR	RGP-15SR
STEPS						
Number of steps	9		12		9+SVC	12+SVC
SUPPLY						
Supply Voltage (Un)	100-270(-15%+10%)VAC/VDC					
Operating Frequency	45~60 Hz					
MEASUREMENTS						
Measurement Accuracy	%0.5(V,I,W,VAr,VA),%0.02(Hz,Cosθ)					
Delay Time	1-1800 sec					
THDV Setting Limits	%0 - 100					
SCREEN						
Active Area	16:10 Segment LCD					
Color	RGB					
OPERATING						
Operating Temperature	-20 +70°C					
Max. Humidity	%95					
MOUNTING						
Mounting Type	Panel Mounting					
Cut-out Dimension	138x138mm					
Max. Depth (Panel Inside)	60mm					
COMMUNICATION						
	-	Modbus RTU	-		Modbus RTU	
TECHNICAL DIMENSIONS						
Dimensions (HxWxD)	144 x 144 mm					
IP Protection	IP 54 (Front Face), IP 20 (Rear Face)					

Warning,
You should
Check-up!

Alarm,
Check-up
Immediately!!!



New Face of PFC

Easy Way to Display PFC Status

Thanks to patented Smiley Mode, ENTES RGP new generation power factor controllers tell the PFC status without going to near the device.



RGP SERIES POWER FACTOR CONTROLLERS

Product Code	Order Code	SVC	Max. Number of Step	Shunt Reactor	1Phase 1 Current	3Phase 3 Current	Single Power Capacitor	Three-Phase Power Capacitor	V, I, Cosφ, W, Var, VA	$\sum W$, $\sum VAR$, $\sum VA$ kWh, kVAh	%THD1, THDV	RS-485 Communication	Generator 2nd Cosφ	85-300V (Aux Supply Voltage)
RGP-9	M3986		9											
RGP-9S	M3987		9											
RGP-12	M3989		12											
RGP-12S	M3990		12											
RGP-12SR	M3988		9+SVC											
RGP-15SR	M4077		12+SVC											



SVC SOLUTION INDUCTIVE LOAD DRIVERS

Product Code	Order Code	Power (kVAR)	Shunt Reactor Number	Shunt Reactor Type	Operating Voltage (V)	Connection Type	Dimensions (mm)	Weight (kg)
SR-05E	M3757	5	3	Monofaze (tek fazlı)	230	Yıldız	119x121x92	0,9
SR-10E	M3756	10	3	Monofaze (tek fazlı)	230	Yıldız	119x121x152	1,4
SR-20E	M3904	20	3	Monofaze (tek fazlı)	230	Yıldız	119x167x337	2,29
SR-30E	M3914	30	3	Monofaze (tek fazlı)	230	Yıldız	119x167x337	3,18

SVC SOLUTION SHUNT REACTORS

Product Code	Order Code	Power (kVAR)	L (mH)	Irms (A)	Weight (kg)	Dimensions (mm)
ENT.SRS1.230/1,66	M3784	1,66	101	7,22	9,3	150 x 123 x 145
ENT.SRS1.230/3,33	M3783	3,33	50,02	14,48	20,8	192 x 163 x 187
ENT.SRS1.230/6,67	M3878	6,67	25,3	40	24,3	240 x 125 x 305
ENT.SRS1.230/10	M3913	10	16,84	43,48	32,4	240 x 145 x 305



Less Investment and Maintenance Cost via Less Step Options

RGP series power factor controllers designed to provide optimum power factor correction from low number of steps.

Solution with less number of steps means you need less number of power capacitor, contactor etc. So less investment and maintenance cost can be provided with RGP.



PFC Solution In Every Condition Via SVC Support

SVC versions of RGP provide perfect power factor correction for both inductive and capacitive loads with using inductive load driver and monofaze shunt reactors.

Tutorial Mode Which Is The First Sectoral Application.

RGP series power factor controllers give information about device usage on "Tutorial Mode". In other words, RGP carries the user manual on inside.



Interactive Communication with Notifications

Critical alarms about PFC, power quality and communication are showed on notification screen in order to importance like a social communication platforms that you used to.



Sensitive Measurement Starting with 3mA

RGP series offer sensitive power factor correction even for minimum loads with opportunity to use power capacitor starting from 0,5 kVAR .



Big and Legible Displays via Wide LCD

16:10 format wide screen LCD is very important for ENTES's new design approach to display legible measurement parameters on screen.

