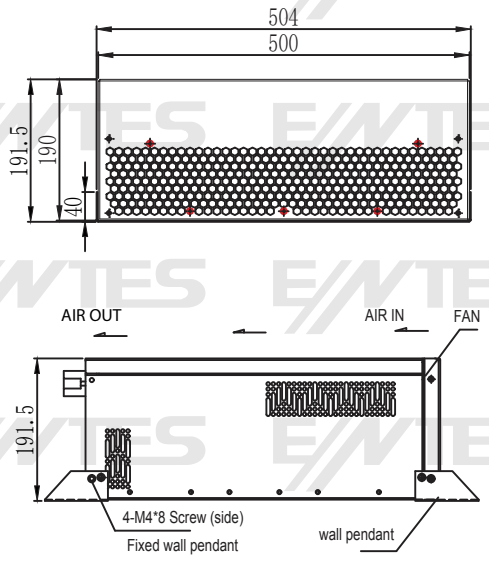
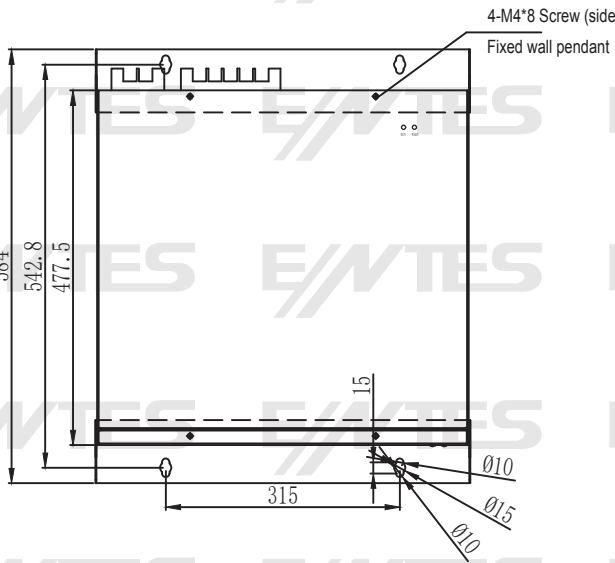


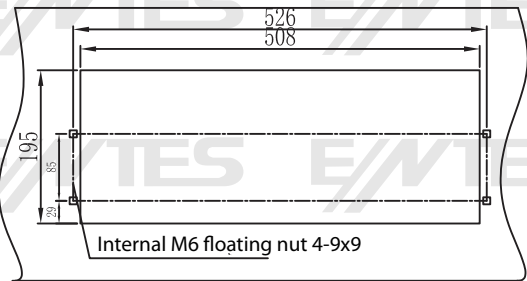
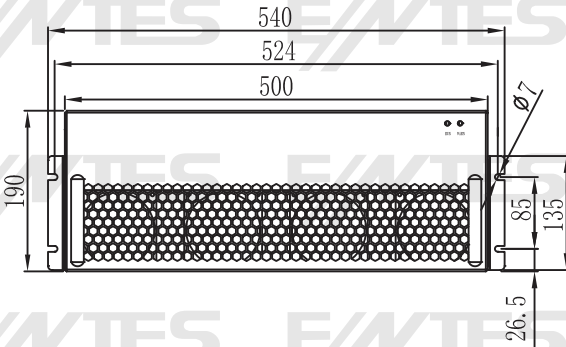
ENT.AHF 100A TECHNICAL SPECIFICATIONS

| | |
|-------------------------------|---|
| Specifications | |
| Modul Size (mm) Rack Type | 551*540*190 |
| Modul Size (mm) Wall Type | 597*503*190 |
| Weight | 36 kg |
| Cooling Air Flow | 4x120 CFM |
| Working Voltage | 380V (± 20%) |
| Working Frequency | 50Hz / 60Hz (Range: 45Hz - 62.5Hz) |
| Wiring Structure | 3P3W/ 3P4W |
| Functions | |
| Harmonic Filtering | 2. ~ 50. |
| Reactive Power Compensation | Adjustable -1 to +1 |
| Unbalance Correction | %100 Unbalance Correction |
| Protection Functions | Over Voltage, Under Voltage, Over Heat, Over Current, Short Circuit, Inverter Bridge Inverse Protection, Over Compensation Protection etc. more than 20 kinds of protection |
| Technical Parameters | |
| Current Transformers | 50/5 ~ 6000/5 |
| Harmonic Filter Rate | ≥ 97% |
| Filter Performance | THDi<5% |
| Noise Level | <60 dB |
| Response Time | 50us |
| Full Response Time | <10ms |
| IGBT Switching Frequency | 20kHz |
| Topology Design | 3 Level Topology |
| Parallel Quantites | Unlimited for Internal HMI Screen Devices / Unlimited with 6 Modules per Screen for External HMI Screen |
| Communication | |
| Communication Port | RS485 & MODBUS |
| Communication Protocol | Modbus Protocol & Optional Ethernet |
| Module Display | Internal 4,3 inch LCD Touch Screen or External 7 inch LCD Touch Screen |
| Monitoring | Independent Monitoring or Centralized Monitoring & Enerthings |
| Mechanichal Parameters | |
| Mounting Type | Wall Mounted / Rack Mounted |
| Color | Black |
| Altitude | 1% up 2000 m. Between 2000 m to 4000 m, According to GB/T3859.2,the Powerdecreases by 1% for Every Additional 100 m. |
| Relative Humidity | 5% -95% Non-condensing |
| Working Temperature | -10 ~ 45 °C |
| Protection Class | IP20 |
| Standard Compliance | EN 61000-6-2, EN 610006-4, IEC 62477-1 |

ENT.AHF 100A Wall Mounting Dimensions



ENT.AHF 100A Rack Mounting Dimensions



Panel plate cutting hole size 508*195

