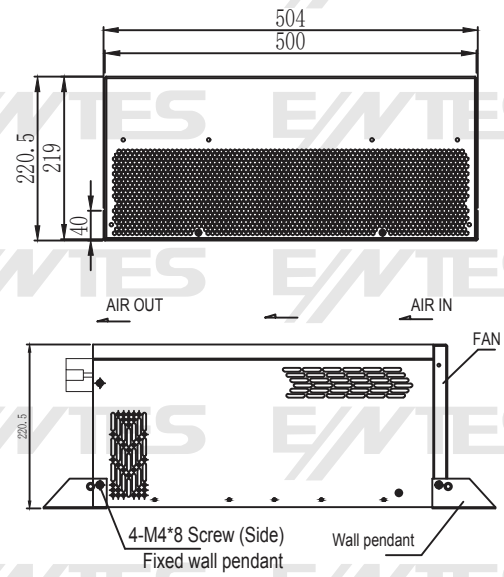
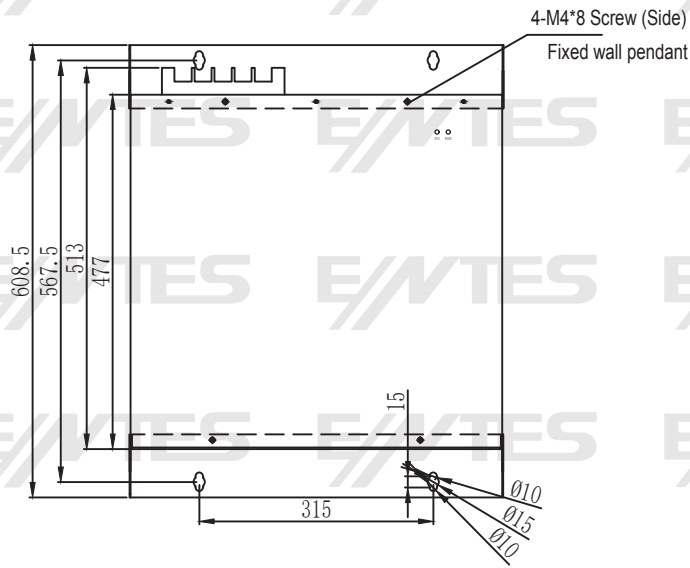


## ENT.SVG 100kVAR TECHNICAL SPECIFICATIONS

<b>Specifications</b>	
Modul Size (mm) Rack Type	558*540*220
Modul Size (mm) Wall Type	608*503*220
Weight	41 kg
Cooling Air Flow	4x210 CFM
Working Voltage	380V ( ± 20% )
Working Frequency	50Hz / 60Hz (Range: 45Hz - 62.5Hz)
Wiring Structure	3P3W/ 3P4W
<b>Functions</b>	
Harmonic Filtering	2. ~ 13.
Reactive Power Compensation	Adjustable -1 to +1
Unbalance Correction	%100 Unbalance Correction
Protection Functions	Over Voltage, Under Voltage, Over Heat, Over Current, Short Circuit, Inverter Bridge Inverse Protection, Over Compensation Protection etc. more than 20 kinds of protection
<b>Technical Parameters</b>	
Current Transformers	50/5 ~ 6000/5
Harmonic Filter Rate	≥ 97%
Filter Performance	THDi<5%
Noise Level	<60 dB
Response Time	50us
Full Response Time	<10ms
IGBT Switching Frequency	20kHz
Topology Design	3 Level Topology
Parallel Quantites	Unlimited for Internal HMI Screen Devices / Unlimited with 6 Modules per Screen for External HMI Screen
<b>Communication</b>	
Communication Port	RS485 & MODBUS
Communication Protocol	Modbus Protocol & Optional Ethernet
Module Display	Internal 4,3 inch LCD Touch Screen or External 7 inch LCD Touch Screen
Monitoring	Independent Monitoring or Centralized Monitoring & Enerthings
<b>Mechanichal Parameters</b>	
Mounting Type	Wall Mounted / Rack Mounted
Color	Black
Altitude	1% up 2000 m. Between 2000 m to 4000 m, According to GB/T3859.2,the Powerdecreases by 1% for Every Additional 100 m.
Relative Humidity	5% -95% Non-condensing
Working Temperature	-10 ~ 45 °C
Protection Class	IP20
Standard Compliance	EN 61000-6-2, EN 610006-4, IEC 62477-1

## ENT.SVG 100 kVAR Wall Mounting Dimensions



## ENT.SVG 100 kVAR Rack Mounting Dimensions

