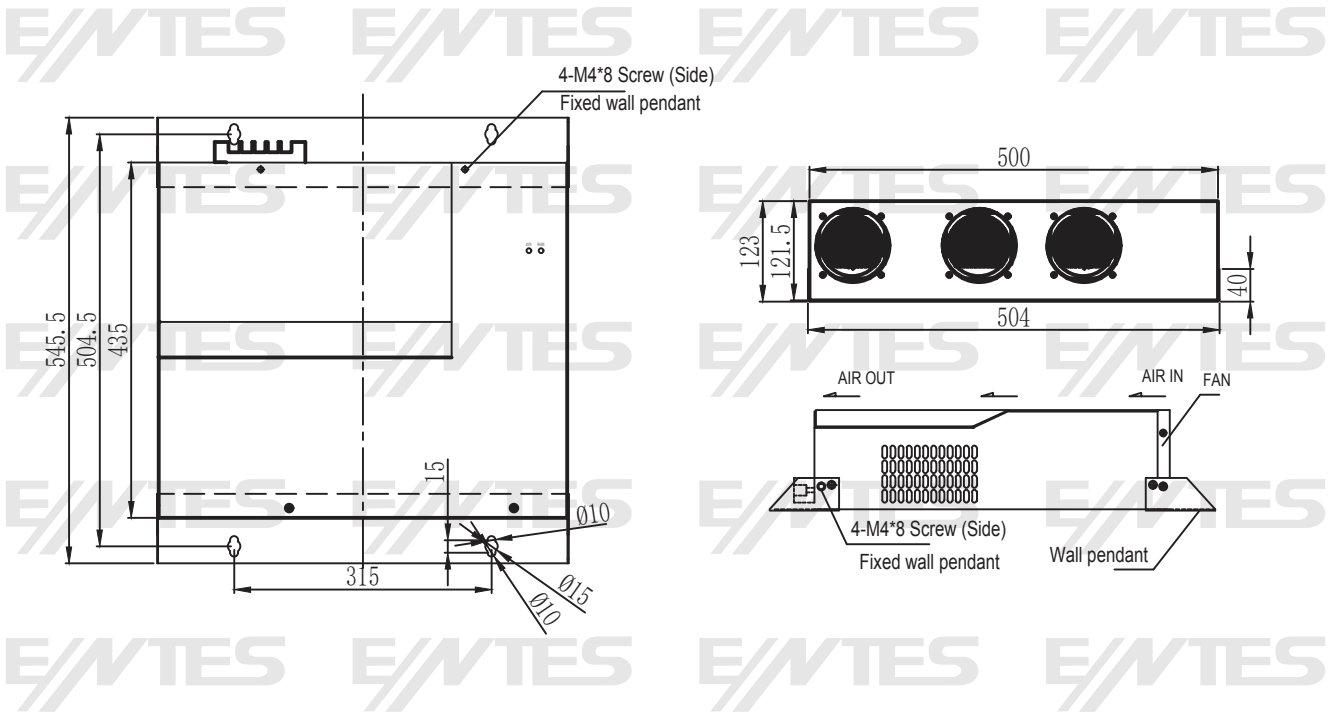


ENT.SVG 50kVAR TECHNICAL SPECIFICATIONS

Specifications	
Modul Size (mm) Rack Type	472*540*122
Modul Size (mm) Wall Type	558*503*122
Weight	21 kg
Cooling Air Flow	4x120 CFM
Working Voltage	380V (± 20%)
Working Frequency	50Hz / 60Hz (Range: 45Hz - 62.5Hz)
Wiring Structure	3P3W/ 3P4W
Functions	
Harmonic Filtering	2. ~ 13.
Reactive Power Compensation	Adjustable -1 to +1
Unbalance Correction	%100 Unbalance Correction
Protection Functions	Over Voltage, Under Voltage, Over Heat, Over Current, Short Circuit, Inverter Bridge Inverse Protection, Over Compensation Protection etc. more than 20 kinds of protection
Technical Parameters	
Current Transformers	50/5 ~ 6000/5
Harmonic Filter Rate	≥ 97%
Filter Performance	THDi<5%
Noise Level	<60 dB
Response Time	50us
Full Response Time	<10ms
IGBT Switching Frequency	20kHz
Topology Design	3 Level Topology
Parallel Quantites	Unlimited for Internal HMI Screen Devices / Unlimited with 6 Modules per Screen for External HMI Screen
Communication	
Communication Port	RS485 & MODBUS
Communication Protocol	Modbus Protocol & Optional Ethernet
Module Display	Internal 4,3 inch LCD Touch Screen or External 7 inch LCD Touch Screen
Monitoring	Independent Monitoring or Centralized Monitoring & Enerthings
Mechanichal Parameters	
Mounting Type	Wall Mounted / Rack Mounted
Color	Black
Altitude	1% up 2000 m. Between 2000 m to 4000 m, According to GB/T3859.2,the Powerdecreases by 1% for Every Additional 100 m.
Relative Humidity	5% -95% Non-condensing
Working Temperature	-10 ~ 45 °C
Protection Class	IP20
Standard Compliance	EN 61000-6-2, EN 610006-4, IEC 62477-1

ENT.SVG 50 kVAR Wall Mounting Dimensions



ENT.SVG 50 kVAR Rack Mounting Dimensions

